



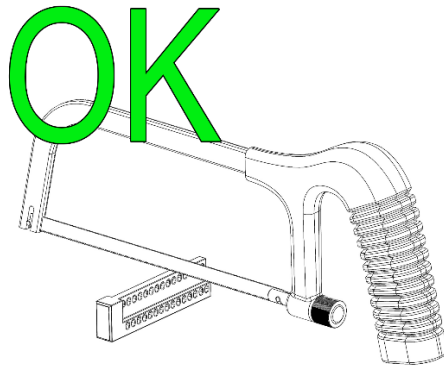
BM-T-1 (FOR TRK-1)

Caution

NEVER use angle/wire cutters, doing so may crack the mount

DO use hacksaws, metal files or sandpaper

Start cutting from the thin side of the mount



Shape the front mounts ONLY, the rear mounts remain flat

